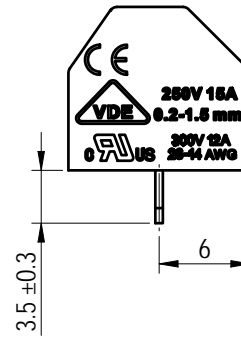
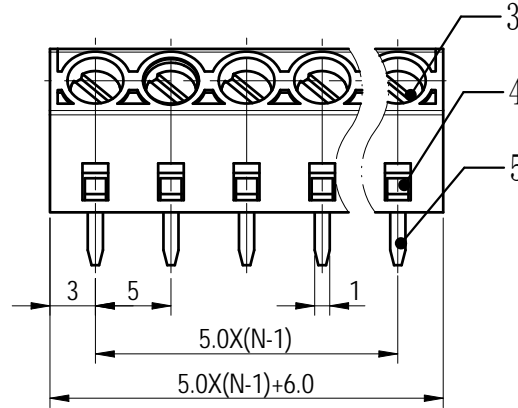
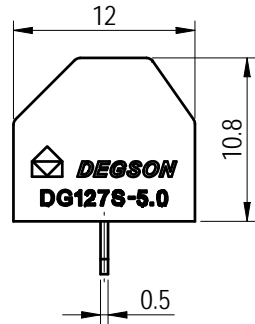
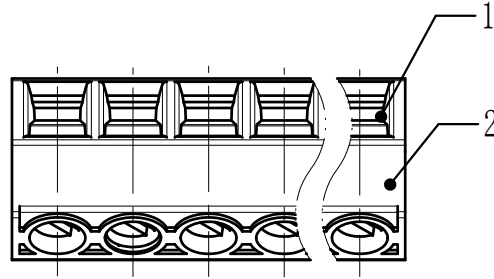
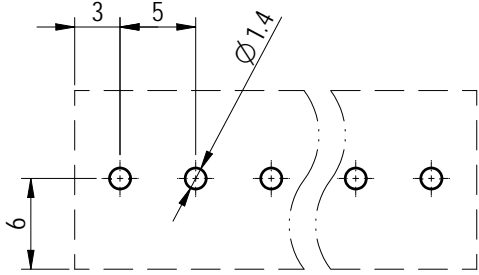
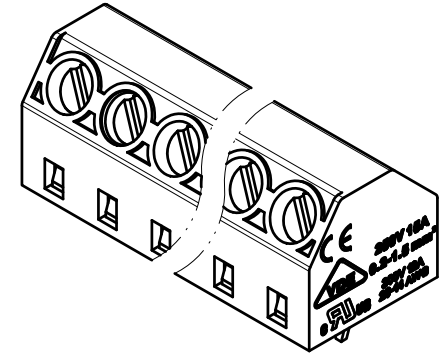


PCB LAYOUT



公差/General tolerances (mm)													0.1/10
0	>3	>6	>10	>18	>30	>50	>80	>120	>180	>250	>315	>400	
±0.12	±0.18	±0.22	±0.26	±0.31	±0.37	±0.57	±0.80	±0.93	±1.05	±1.15	±1.60	±2.20	±2.50
~3	~6	~10	~18	~30	~50	~80	~120	~180	~250	~315	~400	~500	>500
													±2'



Note:  
The A&Z(H) in the name means: A(H) and Z(H).

ITEM	NAME OF PART	MATERIAL	NOTES
5	Pin header	Copper alloy	Sn plated
4	Cover	PA66	UL94V-0
3	Screw	Steel	M2.5/Zn plated
2	Housing	PA66	UL94V-0
1	Cage	Copper alloy	M2.5/Ni plated

UL 标准/UL Standard:	B	C	D
额定电压/电压/Rated Voltage(V)/Current(A)	300/12	/	300/10
IEC 标准/IEC Standard:			
过压类别/Overvoltage Category/污染等级/Pollution Degree	III/3	III/2	II/2
额定电压/电压/Rated Voltage(V)/Current(A)	/	250/12	/
工频耐压/Withstanding voltage(V/1Min)	AC2000		
螺丝扭矩/Torque Tightening(N·m/Lb.in)	M2.5, 0.4/3.54		
线径范围(硬线和软线)/Wire Range(rigid and flexible)(AWG/mm²)	26~14 / 0.2~1.5		
间距/Pitch(mm)/线数范围/Poles	5.0/N=02~16P		
剥线长度/Stripping length(mm)	5~6		
使用温度范围/Operating temperature(°C)	-40~+105		
符合RoHS环保要求/Conform to RoHS	Yes		



MATERIAL:	SURFACE/COLOR:
MAT NO./REV:	/ 00 MAT STATUS: 批量

APPD: 兰春华	2022.08.25	NAME
CHKD: 陈招	2022.08.25	
DRFT: 龚徐涛	2022.08.24	

DRAWING NO.	TYPE	DRAWING STATUS	SCALE	SHEET
200104802	CUSTOMER DRAWING	已发布	2:1	1/1

00	REV	ECN	DESCRIPTION	DRFT	DATE	龚徐涛	2022.08.24
----	-----	-----	-------------	------	------	-----	------------



Transfer or duplication of this document as well as the utilization or communication of its contents are prohibited unless authorized in writing. All rights reserved for patent, utility model or design registrations. 除专利、实用新型、外观设计、发明专利、软件著作权等权利外，其他权利均归本公司所有。未经许可，不得复制或传播。