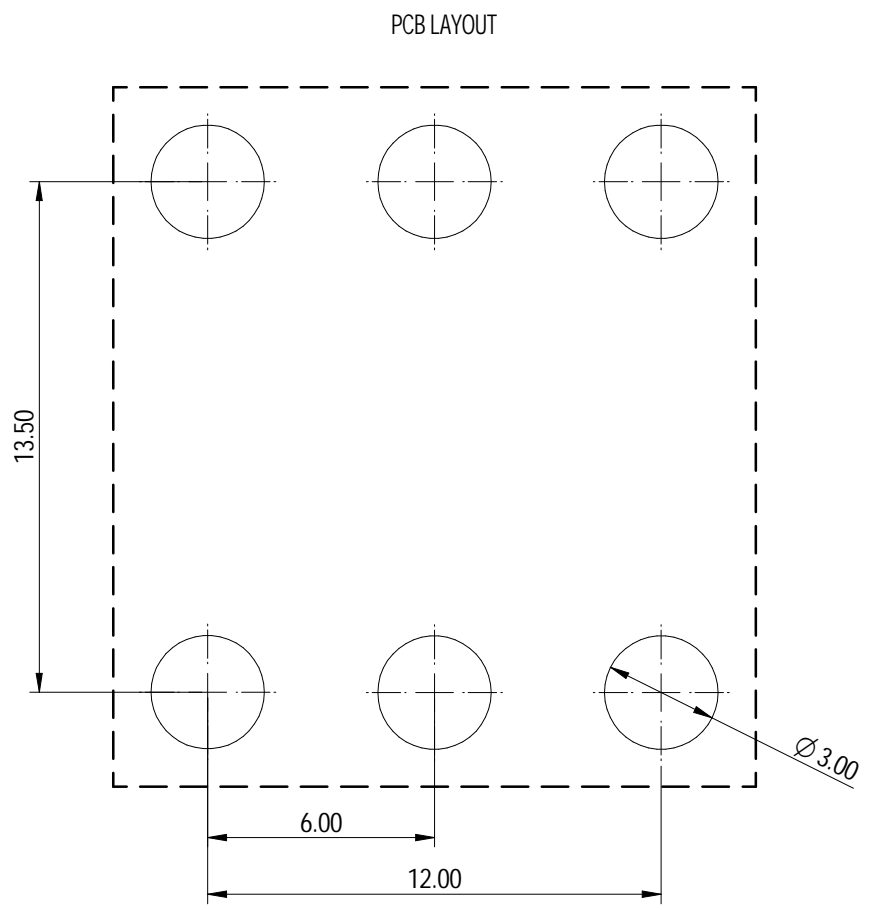
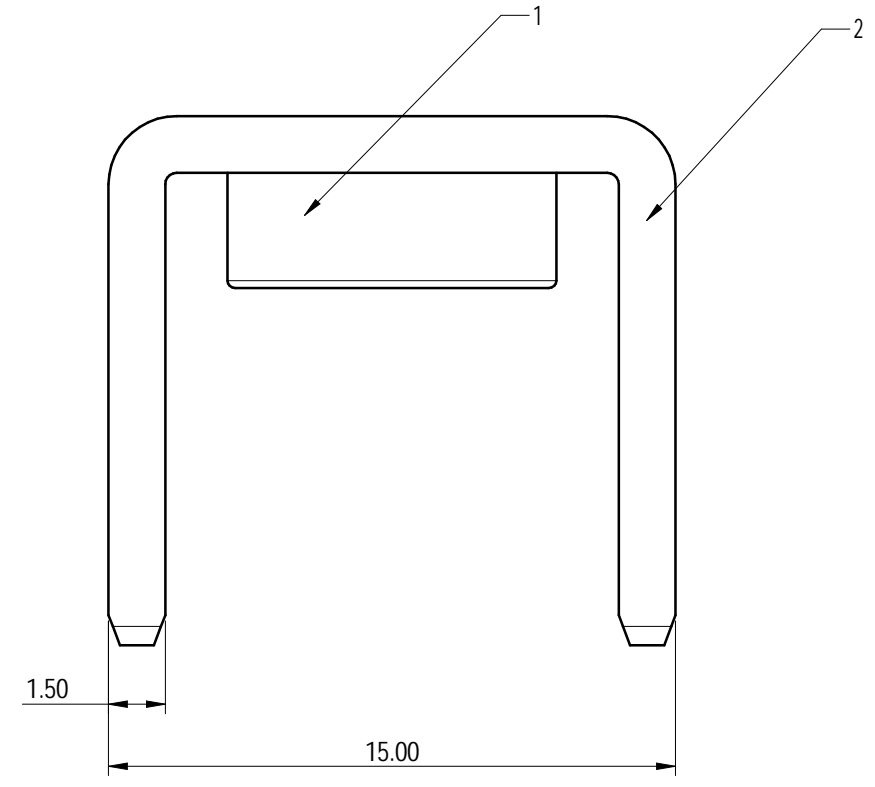
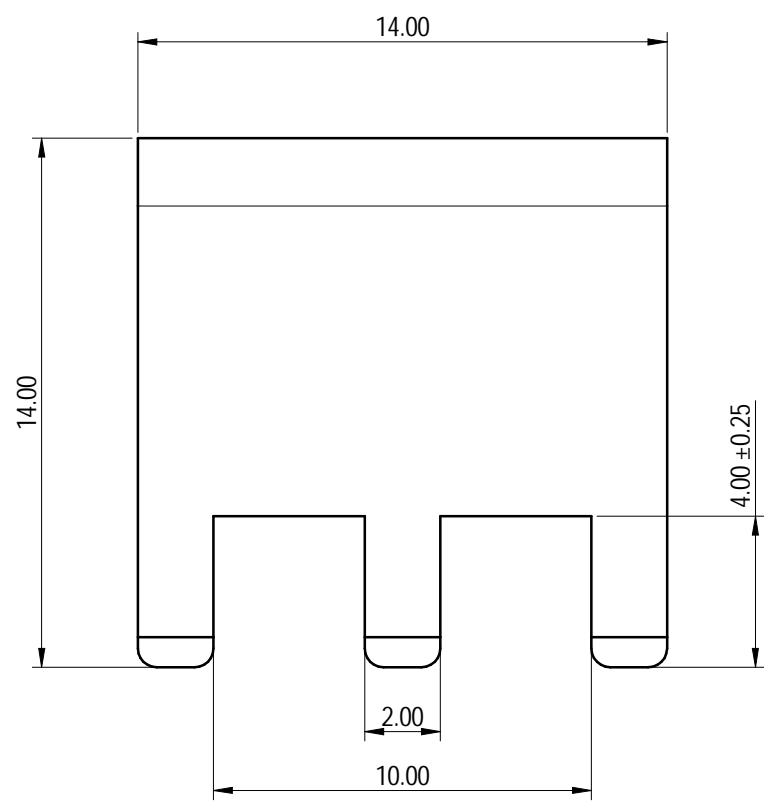
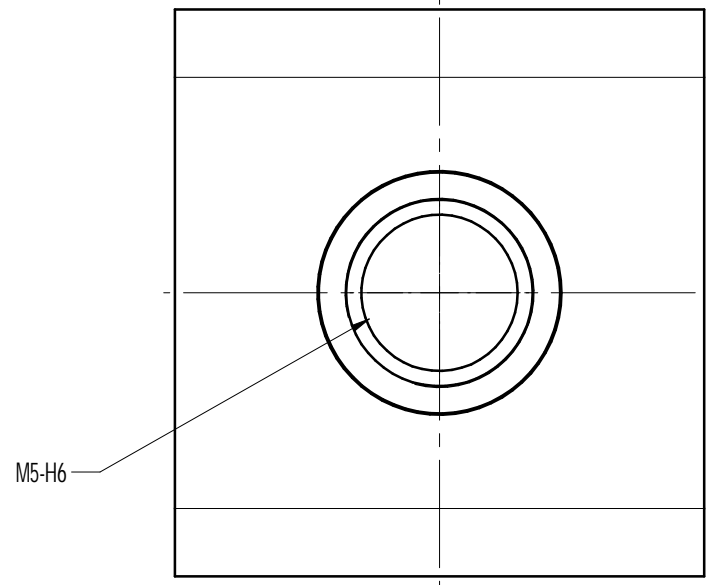


未注公差/General tolerances(mm)												0.1/10 ±2°	
0 ~ 3	>3 ~ 6	>6 ~ 10	>10 ~ 18	>18 ~ 30	>30 ~ 50	>50 ~ 80	>80 ~ 120	>120 ~ 180	>180 ~ 250	>250 ~ 315	>315 ~ 400		>400 ~ 500
±0.12	±0.18	±0.22	±0.26	±0.31	±0.37	±0.57	±0.80	±0.93	±1.05	±1.15	±1.60	±2.20	±2.50
额定电流/Rated Current(A)												92A	
螺丝扭矩/Tightening torque(N·m/Lb.in)												M5, 4.0/35.44	
符合RoHS环保要求/Conform to RoHS												Yes	



Note: The A&Z(H) in the name means: A(H) and Z(H).

2	Pin header	Copper alloy	Sn Plated
1	Nut	Steel	M5/Zn Plated
ITEM	NAME OF PART	MATERIAL	NOTES

			MATERIAL: /	SURFACE/COLOR: /			
APPD: 蓝贵凡 2023.05.08			MAT NO./REV: 1090000079-1 / 00				
CHKD: 曹利彬 2023.05.08			MAT STATUS: 批量				
DRFT: 汪德荣 2023.05.08			NAME: K51-04A&Z(H)				
DRAWING NO. 200194254		TYPE CUSTOMER DRAWING		DRAWING STATUS 已发布		SCALE 5:1	SHEET 1/1

00	/	/	汪德荣	2023.05.08	
REV	ECN	DESCRIPTION	DRFT	DATE	

Transfer or duplication of this document as well as the utilization or communication of its contents are prohibited unless explicit authorization is granted. Violations will be liable for compensation. All rights reserved for patent.