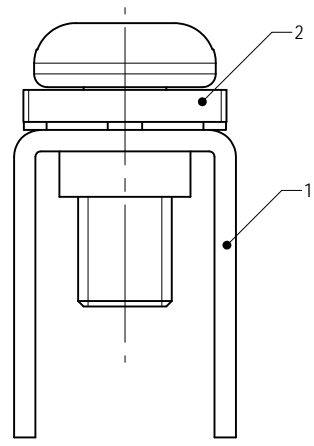
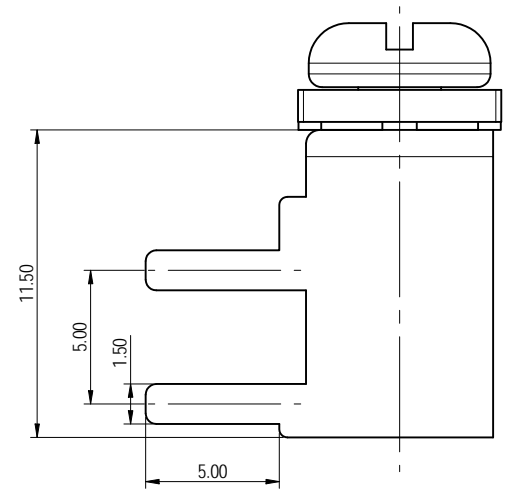
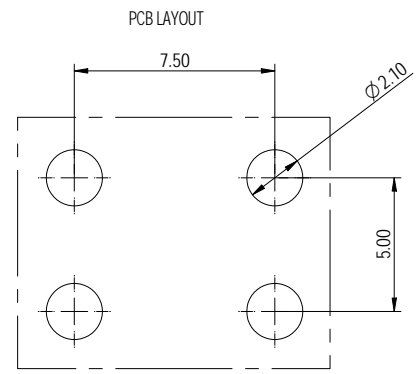
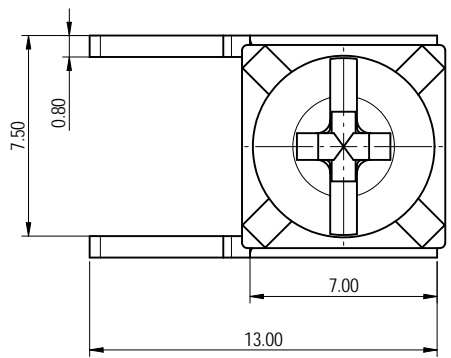


公差/General tolerances (mm)											D 0.1/10			
0	>3	>6	>10	>18	>30	>50	>80	>120	>180	>250		>315	>400	>500
~	~	~	~	~	~	~	~	~	~	~	~	~	~	~
±0.12	±0.18	±0.22	±0.26	±0.31	±0.37	±0.57	±0.80	±0.93	±1.05	±1.15	±1.60	±2.20	±2.50	±2



Note: The A&Z(H) in the name means: A(H) and Z(H).

ITEM	NAME OF PART	MATERIAL	NOTES
2	Screw	Steel	Ni Plated
1	Pin header	Copper alloy	Sn Plated
额定电流/Rated Current(A)		26	
螺丝扭矩/Torque Tightening(N.m/Lb.in)		M3.5, 0.8/7.02	
线径范围(硬线和软线)/Wire Range(rigid and flexible)(AWG)		18~14	
符合RoHS环保要求/Conform to RoHS		Yes	

	MATERIAL:	SURFACE/COLOR:	
	APPD: 蓝美凡 2023.05.17	MAT NO./REV: / 00	MAT STATUS: 批量

CHKD: 曹利彬 2023.05.17	NAME:	K15-00A&Z(H)		
DRFT: 孙科豪 2023.05.17	DRAWING NO.:	TYPE:	DRAWING STATUS:	SCALE:
REV: 00	ECN:	DESCRIPTION:	DATE:	1:1
A3		200194589	CUSTOMER DRAWING	1/1

REV	ECN	DESCRIPTION	DRFT	DATE
00				

Transfer or duplication of this document as well as the utilization of its contents without the written permission of DEGSON is prohibited. All rights reserved for patent. 未经授权复制或传播本文件及其内容，或在本文件所载明的产品上使用其内容，均属于侵权行为。如有侵权，本公司保留追究法律责任的权利。 0.1/10