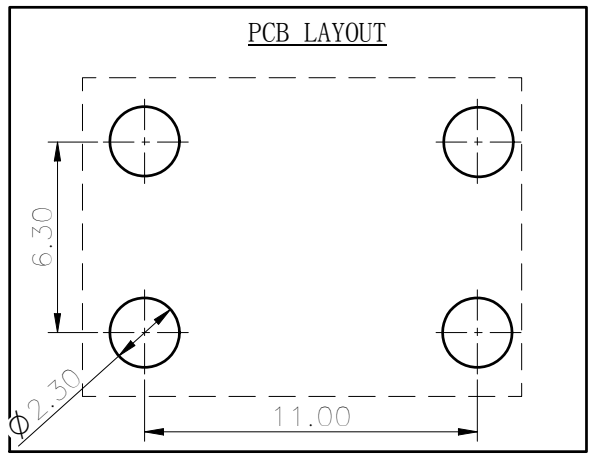
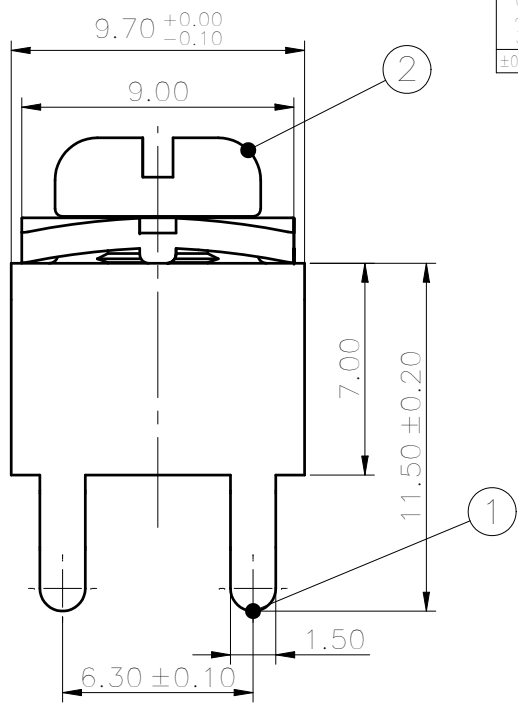
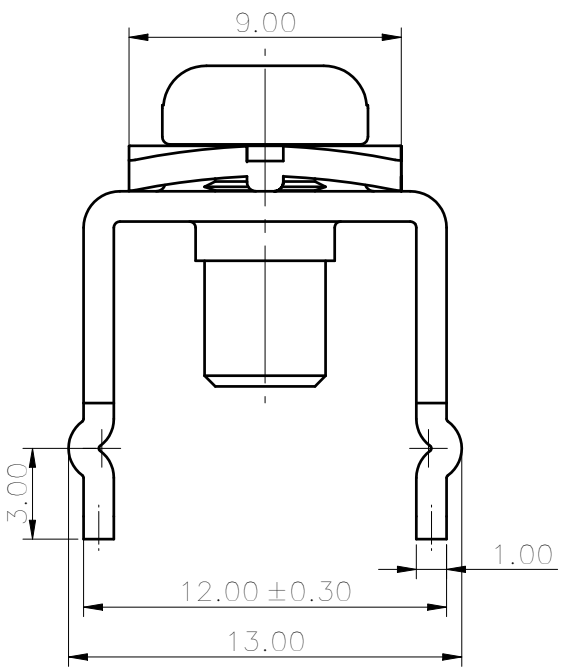


Transfer or duplication of this document as well as the utilization or communication of its contents are prohibited unless authorized. All rights reserved for patent, utility model or designs registrations. 非经书面授权, 严禁禁止转让、复制、利用、交加本文件的内容。一经发现, 侵权必究。本公司保留对涉及发明、实用新型和外观设计的所有权利。

未注公差/General tolerances(mm)													0.1/10
0	>3	>6	>10	>18	>30	>50	>80	>120	>180	>250	>315	>400	
±0.12	±0.18	±0.22	±0.26	±0.31	±0.37	±0.57	±0.80	±0.93	±1.05	±1.15	±1.60	±2.20	±2.50



Note: The A&Z(H) in the name means: A(H) and Z(H).

ITEM	NAME OF PART	MATERIAL	NOTES
2	Screw	Steel	M4/Ni Plated
1	Pin Header	Copper alloy	Sn Plated

额定电流/Rated Current(A)	15
螺丝扭矩/Torque Tightening(N·m/Lb.in)	M4, 1.2/10.7
线径范围(硬线)/Wire Range(AWG)	18~14
符合 RoHS 环保要求/Conform to RoHS	Yes

**DEGSON**

APPD: 蓝贵凡 2023.02.27  
 CHKD: 曹利彬 2023.02.27  
 DRFT: 孙科豪 2023.02.27

MATERIAL:	SURFACE:
MAT NO./REV: 1090000010-1 / 00	MAT STATUS: 批量
NAME: K13-00A&Z(H)	

REV	ECN	DESCRIPTION	DRFT	DATE	200011486	CUSTOMER DRAWING	已发布	SCALE	SHEET
00								2:1	1/1