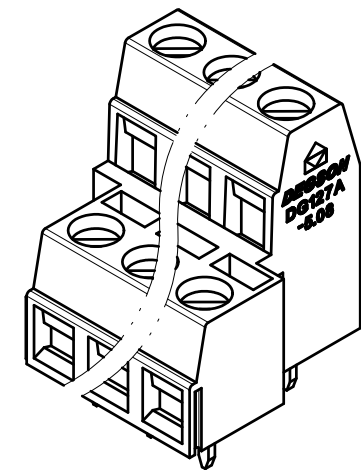
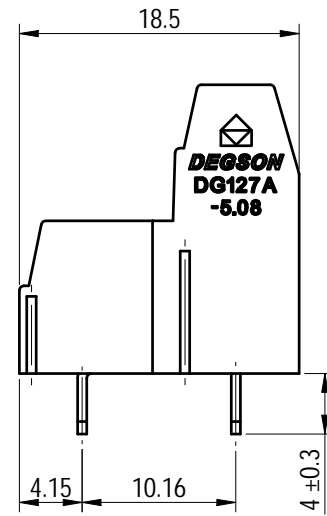
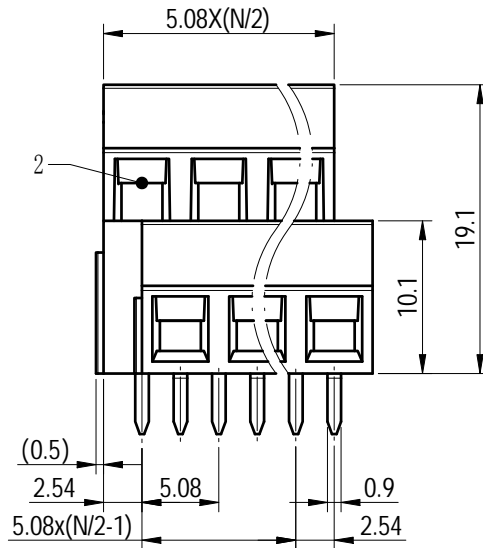
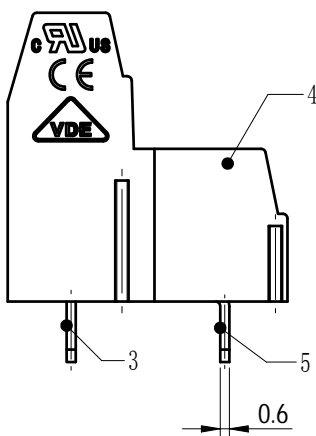
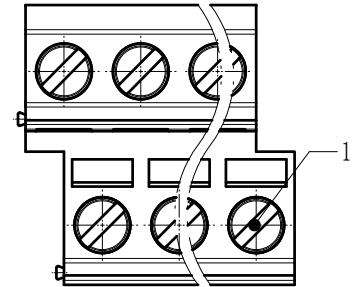


0	>3	>6	>10	>18	>30	>50	>80	>120	>180	>250	>315	>400	>500	0.05/10 ±1°
~	~	~	~	~	~	~	~	~	~	~	~	~	~	
±0.08	±0.12	±0.18	±0.22	±0.26	±0.31	±0.37	±0.57	±0.80	±0.93	±1.05	±1.15	±1.60	±2.20	

UL 标准/UL Standard:		B	C	D
额定电压/电流/Rated Voltage(V)/Current(A)		300/12	/	300/10
IEC 标准/IEC Standard:				
过压类别/Overvoltage Category/污染等级/Pollution Degree		III/3	III/2	II/2
额定电压/电流/Rated Voltage(V)/Current(A)		/	250/15	/
工频耐压/ Withstand voltage(V/1Min)		AC2000		
螺丝扭矩/Torque Tightening(N·m/Lb.in)		M3, 0.5/4.5		
线径范围(硬线和软线)/Wire Range(rigid and flexible)(AWG/mm²)		26~14/ 0.5~1.5		
间距/Pitch(mm)/线数范围/Poles		5.08/N=04~48P		
剥线长度/Stripping length(mm)		6~7		
使用温度范围/Operating temperature(°C)		-40~+105		
符合RoHS环保要求/Conform to RoHS		Yes		



Note:
The A&Z(H) in the name means: A(H) and Z(H).

ITEM	NAME OF PART	MATERIAL	NOTES
5	Pin header	Copper alloy	Sn Plated
4	Housing	PA66	UL94V-0
3	Pin header	Copper alloy	Sn Plated
2	Cage	Copper alloy	M3/Ni Plated
1	Screw	Steel	M3/Zn Plated

		MATERIAL: /	SURFACE/COLOR: /
		MAT NO./REV: - / 00	MAT STATUS: 批量

APPD: 兰春华	2022.08.31	NAME	
CHKD: 陈招	2022.08.30	DG127A-5.08-XXP-1Y-1000A&Z(H)	

REV	ECN	DESCRIPTION	DRFT	DATE	①	②	DRAWING NO.	TYPE	DRAWING STATUS	SCALE	SHEET
00			柳学龙	2022.08.29	①	②	200025178	CUSTOMER DRAWING	已发布	2:1	1/1

Transfer or duplication of this document as well as the utilization or communication of its contents are prohibited unless authorized in writing by Degson Electronics Co., Ltd. All rights reserved for patent. 除专利申明外，任何复制或传播、修改、仿制、再加工、再设计文件的行为均受法律保护。未经本公司书面许可，任何单位和个人不得擅自复制或传播、修改、仿制、再加工、再设计文件的行为。Degson Electronics Co., Ltd. 保留所有权利。Degson Electronics Co., Ltd. All rights reserved for patent.