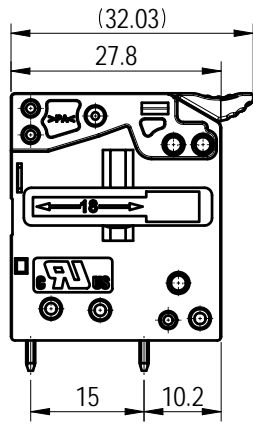
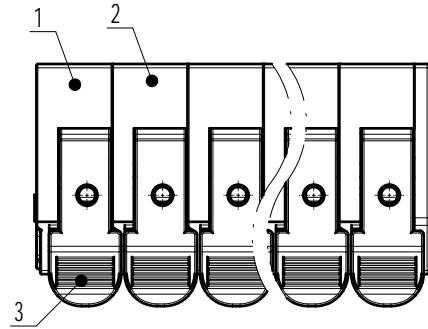
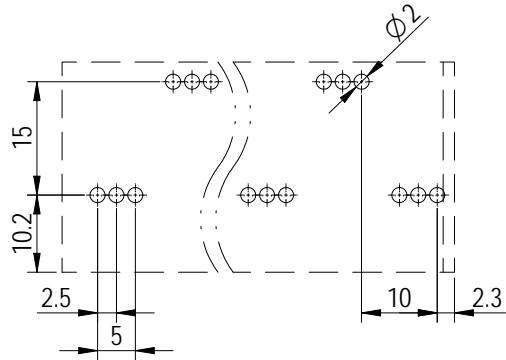
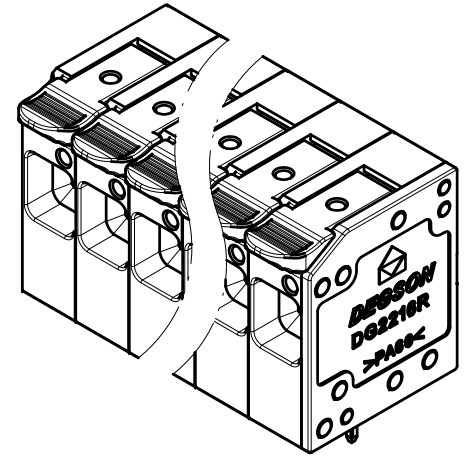
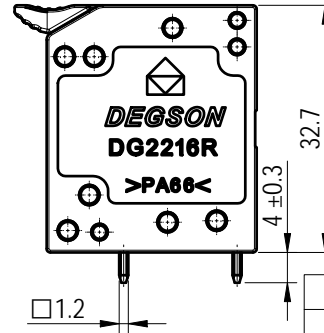
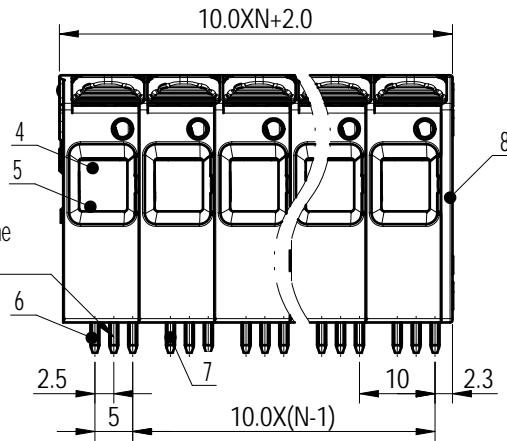


PCB LAYOUT



The first foot from the left side is front foot



Note:
The A&Z(H) in the name means: A(H) and Z(H).

未注公差/General tolerances (mm)													0.1/10
0	>3	>6	>10	>18	>30	>50	>80	>120	>180	>250	>315	>400	
~3	~6	~10	~18	~30	~50	~80	~120	~180	~250	~315	~400	~500	~500
±0.12	±0.18	±0.22	±0.26	±0.31	±0.37	±0.57	±0.80	±0.93	±1.05	±1.15	±1.60	±2.20	±2.50
UL 标准/UL Standard:										B	C	D	
额定电压/电流/Rated Voltage(V)/Current(A)										600/66	600/66	/	
IEC 标准/IEC Standard:													
过压类别/Overvoltage Category/污染等级/Pollution Degree										III/3	III/2	II/2	
额定电压/电流/Rated Voltage(V)/Current(A)										1000/76	1000/76	1000/76	
额定脉冲电压(KV)/Rate Impulse Voltage(KV)										8	8	8	
线径范围(硬线和软线)/Wire Range(rigid and flexible)(AWG/mm ²)										18~4 / 0.2~16.25(sol)			
间距/Pitch(mm)/线数范围/Poles										10.0/N=02~12P			
剥线长度/Stripping length(mm)										18~20			
使用温度范围/Operating temperature(°C)										-40~+105			
符合RoHS环保要求/Conform to RoHS										Yes			

8	Cover	PA66	UL94V-0
7	Back Pin header	Copper	Sn Plated
6	Fornt Pin header	Copper	Sn Plated
5	Spring	Stainless steel	/
4	Block	Stainless steel	/
3	Lever	PA66-GF	UL94V-0
2	Back Housing	PA66	UL94V-0
1	Front Housing	PA66	UL94V-0
ITEM	NAME OF PART	MATERIAL	NOTES

		MATERIAL:	SURFACE/COLOR:	
APPD: 兰春华	2022.10.13	MAT NO./REV:	/ 00	
CHKD: 陈招	2022.10.13	NAME		
DRFT: 陈招	2022.10.13	DG2216R-10.0-DA-XXP-1Y-00A&Z(H)		
REV	ECN	DESCRIPTION	DRFT	DATE
00			陈招	2022.10.13
		DRAWING NO.	TYPE	DRAWING STATUS
		200112165	CUSTOMER DRAWING	已发布
		SCALE	SHEET	
		1:1	1/1	

Transfer or duplication of this document as well as the utilization or communication of its contents are prohibited unless explicit authorization is granted. Violations will be liable for compensation. All rights reserved for patent, utility model or design registrations. 除专利与外观设计、商标、实用新型、发明专利外，其他内容均受法律保护。未经授权，不得复制或传播。本公司保留所有权利。