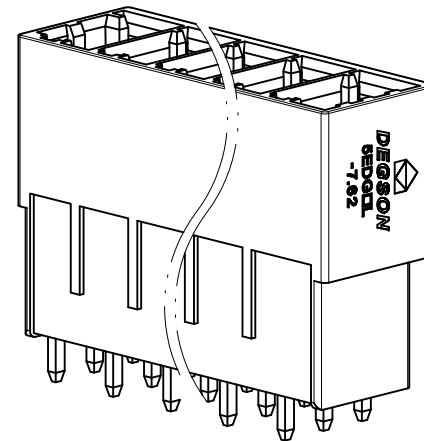
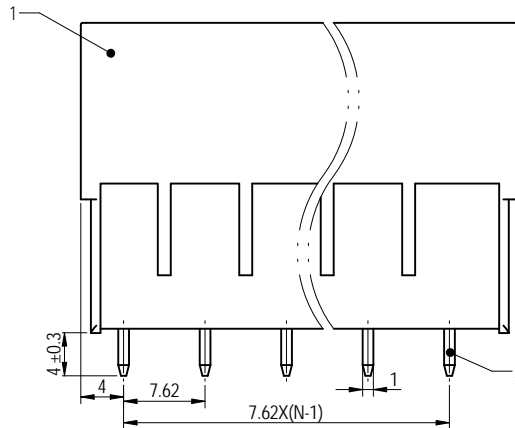
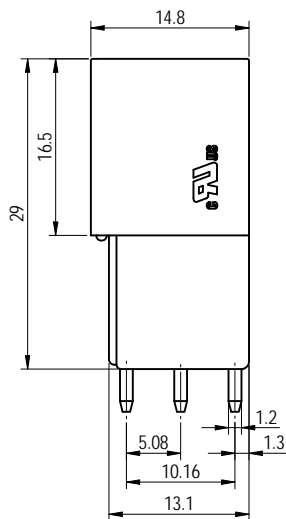
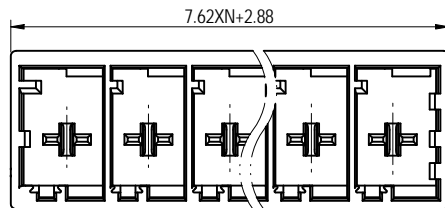
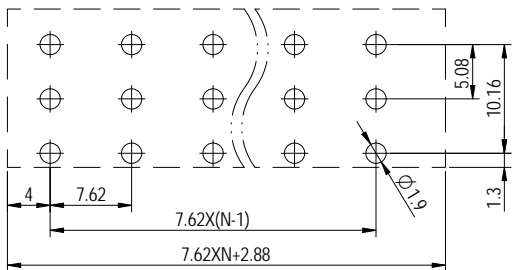


PCB LAYOUT



公差/General tolerances (mm)											D			
0	>3	>6	>10	>18	>30	>50	>80	>120	>180	>250	>315	>400	>500	0.1/10
~	3	6	10	18	30	50	80	120	180	250	315	400	500	N
±0.12	±0.18	±0.22	±0.26	±0.31	±0.37	±0.57	±0.80	±0.93	±1.05	±1.15	±1.60	±2.20	±2.50	±2

Note:  
The A&Z(H) in the name means: A(H) and Z(H).

ITEM	NAME OF PART	MATERIAL	NOTES
2	Pin	Copper	Sn Plated
1	Housing	PBT	UL94V-0

UL 标准/UL Standard:	B	C	D	F
额定电压/电流/Rated Voltage(V)/Current(A)	300/42	300/42	600/5	600/42
IEC 标准/IEC Standard:				
过压类别/Overvoltage Category/污染等级/Pollution Degree	III/3	III/2	II/2	
额定电压/电流/Rated Voltage(V)/Current(A)	500/41	630/41	1000/41	
额定脉冲电压 (KV)/Rate Impulse Voltage(KV)	6	6	6	
间距/Pitch(mm)/线数范围/Poles	7.62/N=02~12P			
使用温度范围/Operating temperature(°C)	-30~+120			
符合RoHS环保要求/Conform to RoHS	Yes			

<b>DIGISON</b>	MATERIAL:	SURFACE/COLOR:
	MAT NO./REV: - / 00	MAT STATUS: 批量

APPD: 兰春华	2023.05.06	NAME	5EDGV1-7.62-XXP-1Y-00A&Z(H)					
CHKD: 黄耀志	2023.05.06	DRAWING NO.	200019563	TYPE	CUSTOMER DRAWING	DRAWING STATUS	SCALE	SHEET
DRFT: 方哲盛	2023.05.06			已发布	2:1	1/1		

REV	ECN	DESCRIPTION	DRFT	DATE
01		Add code F for UL	方哲盛	2023.05.06

Transfer or duplication of this document as well as the utilization of its contents in any form without the written permission of Digison (HK) Co., Ltd. is strictly prohibited. All rights reserved for patent. 此文件及其中之内容之复制或任何形式之利用，未经Digison(香港)有限公司之书面许可，是绝对禁止的。所有权利保留，特此声明。