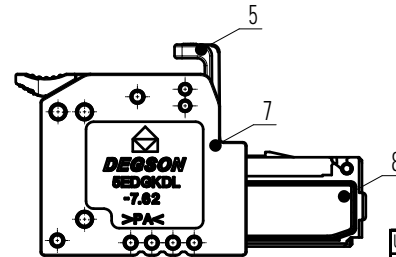
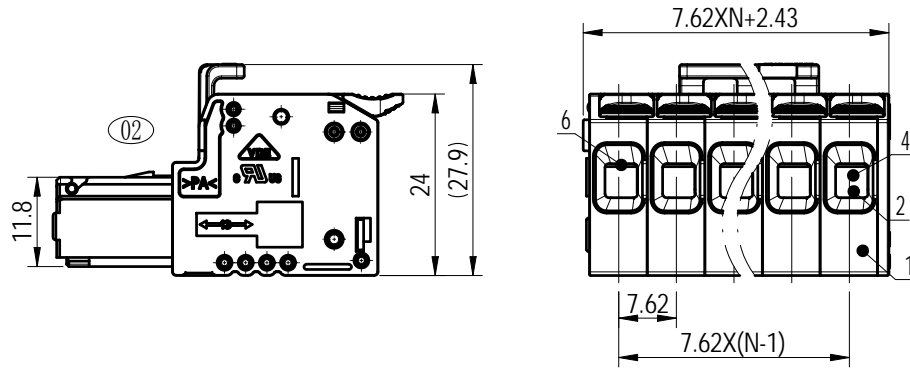
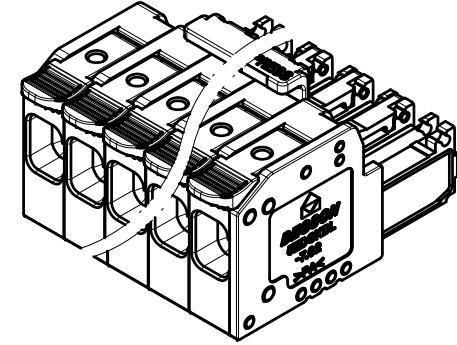
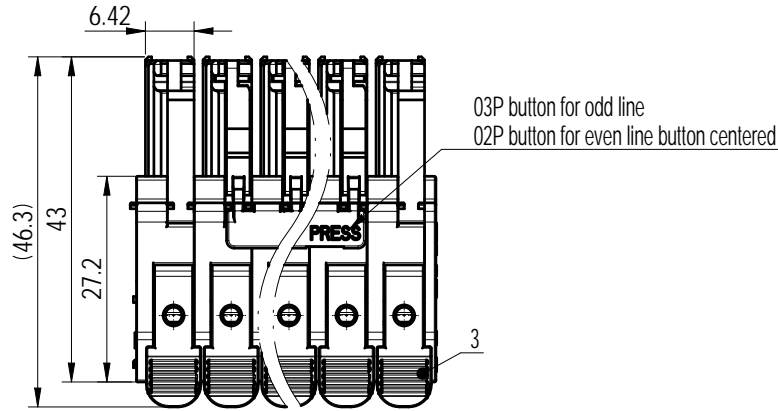


未注公差/General tolerances (mm)													0.1/10 ±2'
0	>3	>6	>10	>18	>30	>50	>80	>120	>180	>250	>315	>400	
~3	~6	~10	~18	~30	~50	~80	~120	~180	~250	~315	~400	~500	>500
±0.12	±0.18	±0.22	±0.26	±0.31	±0.37	±0.57	±0.80	±0.93	±1.05	±1.15	±1.60	±2.20	±2.50



ITEM	NAME OF PART	MATERIAL	NOTES
8	Cover 2	PA66	UL94V-0
7	Cover 1	PA66	UL94V-0
6	Clamp	Copper alloy	Sn Plated
5	Button	PBT+GF	UL94V-0
4	Slider	Stainless Steel	/
3	Lever	PA66+GF	UL94V-0
2	Spring	Stainless Steel	/
1	Housing	PA66	UL94V-0

UL 标准/UL Standard:	B	C	F
额定电压/电流/Rated Voltage(V)/Current(A)	600/42	600/42	600/42
IEC 标准/IEC Standard:			
过压类别/Overvoltage Category/污染等级/Pollution Degree	III/3	III/2	II/2
额定电压/电流/Rated Voltage(V)/Current(A)	800/41	1000/41	1000/41
额定脉冲电压(KV)/Rate Impulse Voltage(KV)	8	8	8
线径范围(硬线和软线)/Wire Range(rigid and flexible)(AWG/mm²)	20~8 / 0.2~6.10(sol)		
间距/Pitch(mm)/线数范围/Poles	7.62/N=02~12P		
剥线长度/Stripping length(mm)	11~13		
使用温度范围/Operating temperature(°C)	-40~+105		
符合RoHS环保要求/Conform to RoHS	Yes		

DEGSON

APPD: 兰春华 2023.09.06
 CHKD: 龚耀志 2023.09.05
 DRFT: 吴明慧 2023.09.04

MATERIAL:	SURFACE/COLOR:	
MAT NO./REV:	/ 00	MAT STATUS: 批量
NAME	5EDGKDL-7.62-XXP-1Y-00Z(H)	
DRAWING NO.	TYPE	DRAWING STATUS
200123950	CUSTOMER DRAWING	已发布
SCALE	SHEET	
1:1	1/1	

REV	ECN	DESCRIPTION	DRFT	DATE
02		Add a Mark for VDE certification.	吴明慧	2023.09.04

Transfer or duplication of this document as well as the utilization or communication of its contents are prohibited unless authorized in writing by DEGSON. All rights reserved for patent, utility model or design registrations. 除专利等明确标注外, 未经授权, 禁止复制或传播。 未经授权, 禁止复制或传播。 未经授权, 禁止复制或传播。