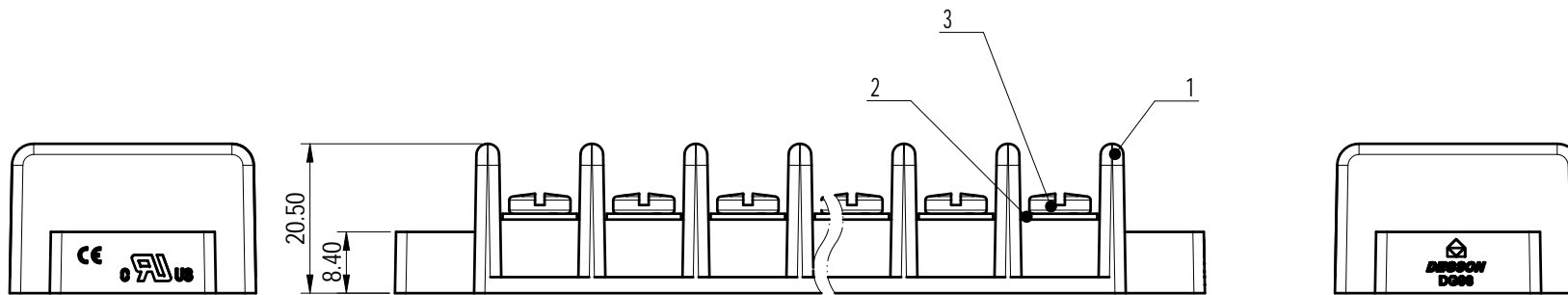


未注公差/General tolerances (mm)													0.1/10	
0	>3	>6	>10	>18	>30	>50	>80	>120	>180	>250	>315	>400		>500
±0.12	±0.18	±0.22	±0.26	±0.31	±0.37	±0.57	±0.80	±0.93	±1.05	±1.15	±1.60	±2.20	±2.50	±2'



Note: The A&Z (H) in the name means: A(H) and Z(H).

ITEM	NAME OF PART	MATERIAL	NOTES
3	Screw	Steel	Zn Plated
2	Current carrier	Copper alloy	Sn Plated
1	Housing	PC	UL94V-0

UL 标准/UL Standard:	B	C	D
额定电压/电流/Rated Voltage(V)/Current(A)	600/30	600/30	/
螺丝扭矩/Torque Tightening(N·m/Lb.in)	M4, 1.2/10.53		
线径范围(硬线和软线)/Wire Range(rigid and flexible)(AWG)	22~10		
间距/Pitch(mm)/线数范围/Poles	14.28/N=02~13P		
使用温度范围/Operating temperature(°C)	-40~+125		
符合RoHS环保要求/Conform to RoHS	Yes		

		MATERIAL:	SURFACE/COLOR:		
		MAT NO./REV:	-	/	00
APPD: 蓝贵凡	2023.03.08	NAME			
CHKD: 曹利彬	2023.03.08	DG98-A-XXP-1Y-00A&Z(H)			
DRFT: 姜民洁	2023.03.08	DRAWING NO.	TYPE	DRAWING STATUS	SCALE
		200156250	CUSTOMER DRAWING	已发布	1:1
					SHEET 1/1

REV	ECN	DESCRIPTION	DRFT	DATE
00				

Transfer or duplication of this document as well as the utilization or communication of its content are prohibited unless authorized in writing by Degson. All rights reserved for patent. 除专利声明外，其他内容均受法律保护。未经授权，不得复制或传播。 0.1/10